

TORO®

SpecSheet

570Z Series Fixed-Spray Sprinklers and MPR Plus Spray Nozzles

Advanced fixed-spray performance.

570Z Series sprinklers are ideal for small turf areas and intricate designs. These sprinklers feature a low-pressure seal that flushes only upon retraction, which allows more sprinklers to be placed on the same zone. Retraction flushing also clears debris.

570 MPR Plus nozzles have a host of unique features, including *true* matched precipitation rates, color coding by radius and a standard pressure-compensating device to provide increased precision. MPR Plus nozzles fit any 570 pop-up body, shrub adapter, riser extender or shrub riser.



Toro 570 Series Sprinklers 0'-16' Radius

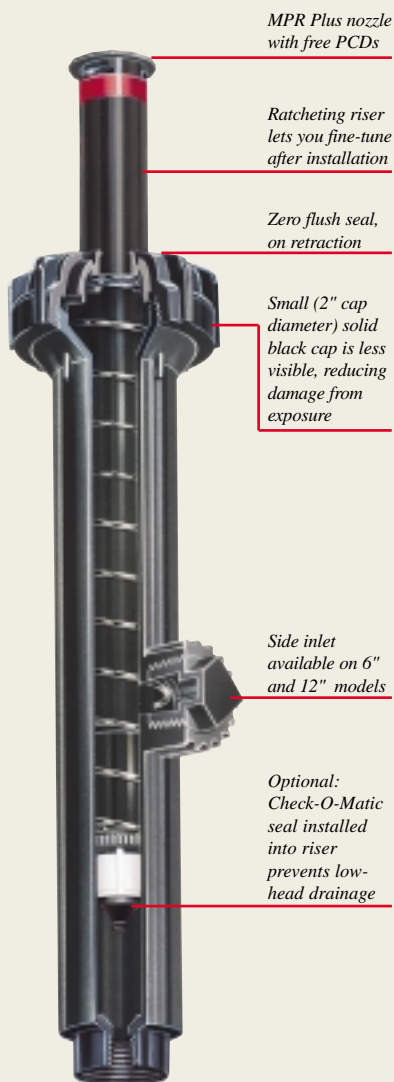
Featuring a low-pressure seal that flushes only upon retraction, 570Z models are ideal for small turf areas and intricate designs. Seven distinct pop-up sprinkler bodies, a host of interchangeable nozzles and over 20 special-application nozzles provide unlimited flexibility.

Features

- Seal prevents flushing on pop-up — enables more sprinklers to be placed on the same zone
- Low-pressure sealing at 15 PSI
- Retraction flushing clears debris for reliable pop-down
- Small (2" diameter) solid black cap is less visible, reducing damage from exposure
- Accepts all Toro spray nozzles — including 570 MPR Plus spray nozzles and filter screens
- Accepts Maxijet® nozzles for low-application-rate spray
- Check-O-Matic models available — eliminating low-head drainage
- Ratcheting riser feature for easy arc adjustment
- Side inlet available on both 6" and 12" sprinkler bodies for easier installation
- Durable engineering plastic construction
- Stainless-steel retraction spring
- Screw-on cap (retrofits all previous Toro 570C bodies)
- Effluent cover available (Part No. 89-9752)

Specifications

- Recommended operating pressure: 20-50 PSI
- Maximum operating pressure: 75 PSI
- Flow rate: 0.05-4.58 GPM
- ½" female-threaded inlet
- Dimensions:
Body diameter:
• 1½" on 2", 3", 4" and 6" bodies
• 1⅝" on 12" body
Cap diameter: 2"
- Side inlet — 4¾" from top of sprinkler to center of side inlet



MPR Plus nozzle with free PCDs

Ratcheting riser lets you fine-tune after installation

Zero flush seal, on retraction

Small (2" cap diameter) solid black cap is less visible, reducing damage from exposure

Side inlet available on 6" and 12" models

Optional: Check-O-Matic seal installed into riser prevents low-head drainage



Specifying Information — Sprinklers

570Z XXP SI COM		
Pop-Up Height	Optional	Optional
12—12" 6—6" 4—4" 3—3" 2—2"	SI—Side Inlet (optional) for 6" and 12" Models	COM—Check-O-Matic
For Example: When specifying a 570Z Series Sprinkler with a pop-up height of 4" and a check valve, you would specify:		
570Z-4P-COM		

Toro 570 MPR Plus Spray Nozzles

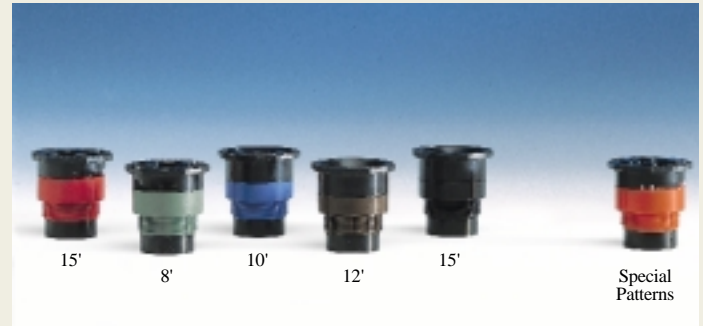


True matched precipitation rates and color coding by radius are just a few of the unique features of 570 MPR Plus spray nozzles. Fits any 570 pop-up body, shrub adapter, riser extender or shrub riser.

Features

- Matched precipitation rates ensure that all nozzles (every radius and pattern) apply water at the same rate
- Low-flow rates allow for more sprinklers to be placed on the same zone
- PCDs eliminate fogging, conserve water and provide precise flow rates; standard pre-installed or separately

- Color coding by radius for easy identification
- Complete selection of arcs for all radius options — full, $\frac{3}{4}$, $\frac{1}{2}$, $\frac{1}{4}$ and $\frac{1}{8}$
- Uniform watering patterns eliminate over and under throw; refined design of part-circle patterns for better arc
- Precise radius/flow adjustment, will not lose adjustment
- 5' radius nozzles adjust to 3'
- Standard and special spray patterns
- Patterns for small areas
 - Full set of arcs for 10', 8' and 5' radius nozzles
 - 4'x18' side strip ideal for parking lot medians
 - 2'x6' for small planter beds and other narrow areas



- 5 levels of trajectory

Apex at 30 PSI					
Nozzle Series	Max. Ht. of Spray				
	27°	23°	12°	5°	0°
15'	4'8"				
12'		3'7"			
10'			2'4"		
8'				2'2"	
5'					1'6"

- Convenient nozzle packaging — nozzles and screens packed separately in attached bags
- Fine-mesh filter screens prevent clogging of lower-gallonage nozzles

Specifications

- Operating pressure for optimum nozzle performance: 30 PSI
- Recommended operating pressure range: 20-50 PSI
- Maximum operating pressure: 75 PSI
- Adjustment screw allows up to 25% reduction in radius and complete shutoff



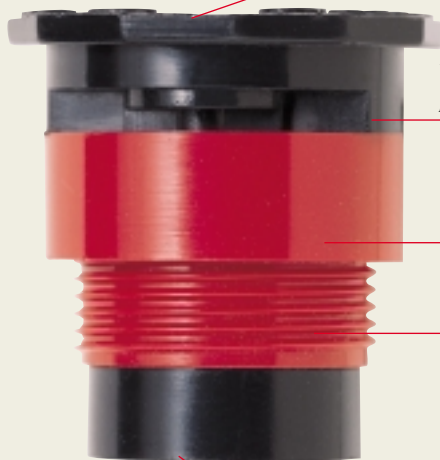
Radius-adjustment screw provides 25% radius reduction and complete shutoff

Precision-cut opening to ensure true matched precipitation rates

Color-coded band to indicate radius

Threaded to fit any Toro 570 pop-up body, riser or adapter

Pressure-compensating device maintains constant performance



570 MPR Plus Nozzle

Specifying Information — MPR Nozzles

Radius	Arc	Optional
5—5'	Q—90°	PC—Pressure Compensation
8—8'	T—120°	EST—End Strip
10—10'	H—180°	CST—Center Strip
12—12'	TT—240°	SST—Side Strip
15—15'	TQ—270°	

For Example:
When specifying a 570 MPR Plus Nozzle with a radius of 10', a 180° arc and pressure compensation, you would specify:

10-H-PC

Toro 570 ADJ Adjustable Arc Nozzle 15' Radius

Flexibility. Precise spray patterns. One nozzle. Designing intricate landscapes just got easier with the 570 ADJ nozzle from Toro. It's everything you need to turn the perfect blueprint into a beautiful landscape.

Arc Adjustment

Features

- Radius adjustment screw provides 25% radius reduction and full Off
- Adjustable arc from 0°–330°
- Factory preset at 180°, graphically identified
- Nozzles can be installed onto any 570 body, shrub adapter, riser or extender
- Left and right side of arc identified
- Wet or dry adjustment
- Vandal-resistant design to ensure arc setting

Specifications

- Radius range: 14'–17'
- Operating pressure range: 20–50 PSI
- GPM range: 0–5.5
- Maximum operating pressure: 75 PSI

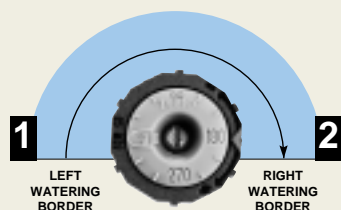
Note: Specifications subject to change without notice.

For more information, contact your local Toro distributor.

570 Adjustable Arc Nozzle Performance Chart

ARC	@ 20 PSI				@ 30 PSI				@ 40 PSI				@ 50 PSI			
	RAD	GPM	Prec. Rate*		RAD	GPM	Prec. Rate*		RAD	GPM	Prec. Rate*		RAD	GPM	Prec. Rate*	
▲ 45°	14'	0.65	2.95	2.55	15'	0.81	3.20	2.77	16'	0.95	3.30	2.86	17'	1.09	3.36	2.91
▲ 90°	14'	1.10	2.50	2.16	15'	1.36	2.69	2.33	16'	1.58	2.75	2.38	17'	1.77	2.72	2.36
▲ 135°	14'	1.52	2.29	1.99	15'	1.90	2.50	2.16	16'	2.27	2.62	2.27	17'	2.58	2.64	2.29
▲ 180°	14'	2.30	2.61	2.26	15'	2.65	2.62	2.27	16'	3.06	2.66	2.30	17'	3.43	2.64	2.29
▲ 225°	14'	2.49	2.26	1.96	15'	2.98	2.36	2.04	16'	3.45	2.40	2.08	17'	3.87	2.38	2.06
▲ 270°	14'	2.68	2.02	1.75	15'	3.30	2.17	1.88	16'	3.83	2.22	1.92	17'	4.30	2.20	1.91
▲ 315°	14'	2.87	1.86	1.61	15'	3.62	2.04	1.77	16'	4.21	2.08	1.81	17'	4.73	2.07	1.80

*△ Precipitation rates are for triangular spacing, shown in inches per hour, calculated at 55% of diameter.
□ Precipitation rates are for square spacing, shown in inches per hour, calculated at 50% of diameter.



- 1 Align left-side indicator with left watering border. Arc is preset at the factory to 180°.
- 2 Rotate outer ring: left to decrease, right to increase. Align right-side indicator to the desired spray coverage

Specifying Information

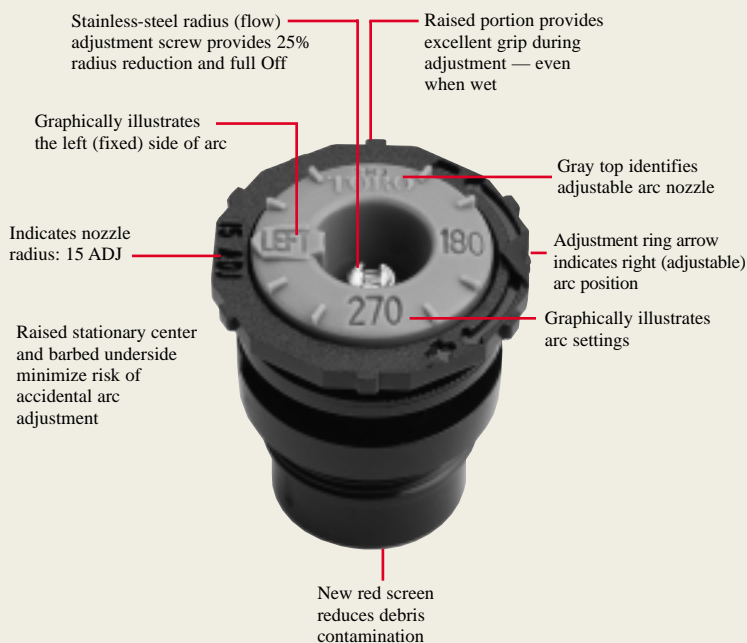
XX ADJ

<i>Radius</i>	<i>Arc</i>
15—15'	Variable, 0°–330°

For Example:
When specifying a 15' 570 ADJ Adjustable Arc Nozzle, you would specify:

15-ADJ

Note: To specify a 570 ADJ Adjustable Arc Nozzle with a 570Z sprinkler body, attach the body specification before the nozzle specification.



Toro Maxijet® Microspray Irrigation

Maximum versatility with low-volume benefits. Toro Maxijet microsprays can be used with all Toro 570 Series pop-up sprinklers, shrub adapters, risers and extenders. Now, precision water conservation is simpler than ever.



Features

- Fits all Toro 570 Series pop-up sprinklers, shrub adapters, risers and extenders
- Nozzle, adapter and pressure-compensating screen are pre-assembled
- Pressure compensation provides uniform application over elevation changes and long runs

- Flush mount “top hat” design allows the nozzle assembly to retract into the body (on pop-up models) for added debris and vandal resistance
- Low-flow rates reduce runoff in compacted soils and percolation in sandy soils
- Nozzles and pressure-compensating screens are color coded by GPH for easy identification
- Three radius and flow-rate choices:
 - 10 GPH (blue) — 4'
 - 15 GPH (green) — 5'
 - 24 GPH (red) — 6'

- Four nozzle patterns:
 - 90° quarter-circle
 - 180° half-circle
 - 360° full-circle
 - Center strip

Specifications

- Recommended operating range: 20-50 PSI
- Maximum operating pressure: 70 PSI
- Flow rate: 10-24 GPH

Note: Specifications subject to change without notice.

For more information, contact your local Toro distributor.

570Z Series Nozzle Adapters

10 GPH Series with 0° Trajectory ●

Nozzle Radius	Pressure	GPM	Radius
MJ-4Q	20 30 40	10.5 12.8 14.6	4.5 5.0 5.5
MJ-4Q-PC	20-50	10.0	4.5
MJ-4H	20 30 40	10.5 12.8 14.6	4.0 4.5 4.5
MJ-4H-PC	20-50	10.0	4.0
MJ-4F	20 30 40	10.5 12.8 14.6	4.0 5.0 5.0
MJ-4F-PC	20-50	10.0	3.5
MJ-4CST	20 30 40	10.5 12.8 14.6	1.5 x 3.0 5.5 x 3.0 6.0 x 3.5
MJ-4CST-PC	20-50	10.0	4.0 x 3.0

15 GPH Series with 0° Trajectory ●

Nozzle Radius	Pressure	GPM	Radius
MJ-5Q	20 30 40	16.0 19.9 22.7	6.5 7.0 7.5
MJ-5Q-PC	20-50	15.0	5.5
MJ-5H	20 30 40	16.0 19.9 22.7	6.5 7.0 7.5
MJ-5H-PC	20-50	15.0	5.5
MJ-5F	20 30 40	16.0 19.9 22.7	4.5 5.0 5.0
MJ-5F-PC	20-50	15.0	5.0
MJ-5CST	20 30 40	16.0 19.9 22.7	4.5 x 3.0 5.5 x 3.0 6.5 x 3.5
MJ-5CST-PC	20-50	15.0	5.0 x 3.0

24 GPH Series with 0° Trajectory ●

Nozzle Radius	Pressure	GPM	Radius
MJ-6Q	20 30 40	23.5 29.1 31.6	7.0 8.0 8.5
MJ-6Q-PC	20-50	24.0	6.5
MJ-6H	20 30 40	23.5 29.1 31.6	5.0 5.5 6.0
MJ-6H-PC	20-50	24.0	5.5
MJ-6F	20 30 40	23.5 29.1 31.6	5.0 6.5 7.5
MJ-6F-PC	20-50	24.0	5.5
MJ-6CST	20 30 40	23.5 29.1 31.6	5.5 x 3.0 6.5 x 3.5 7.0 x 3.5
MJ-6CST-PC	20-50	24.0	6.0 x 3.0

Toro 570 Series Shrub Adapter

Features

- Accepts all Toro 570 Series spray, stream bubbler and flood bubbler nozzles

Specifications

- ½" NPT female-threaded inlet



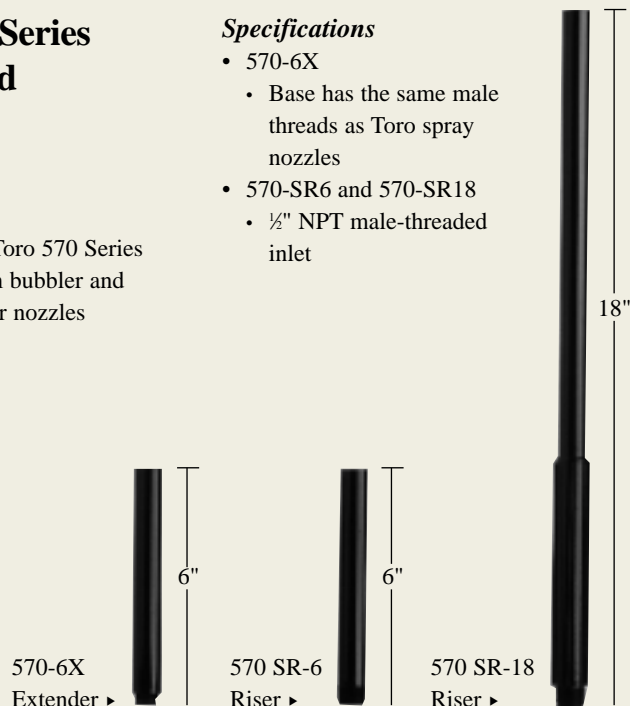
Toro 570 Series Risers and Extender

Features

- Accepts all Toro 570 Series spray, stream bubbler and flood bubbler nozzles

Specifications

- 570-6X
 - Base has the same male threads as Toro spray nozzles
- 570-SR6 and 570-SR18
 - ½" NPT male-threaded inlet



570Z MPR Plus Spray Nozzle Performance Chart

5' Series with 0° Trajectory ●

Nozzle Radius	Pressure	GPM	Prec. Rate*		
			□	△	
5-Q ¼	20	0.05	4'	1.21	1.40
	30	0.09	5'	1.40	1.61
	40	0.12	6'	1.54	1.78
	50	0.15	6'	1.62	1.86
5-Q-PC	30-40	0.09	5'	1.40	1.61
	40-75	0.10	5'	1.55	1.79
5-T ½	20	0.07	4'	1.27	1.47
	30	0.12	5'	1.40	1.61
	40	0.16	6'	1.54	1.78
	50	0.20	6'	1.62	1.86
5-T-PC	30-40	0.12	5'	1.40	1.61
	40-75	0.13	5'	1.55	1.79
5-H ¾	20	0.10	4'	1.21	1.40
	30	0.19	5'	1.47	1.70
	40	0.23	6'	1.47	1.70
	50	0.27	6'	1.45	1.68
5-H-PC	30-40	0.18	5'	1.40	1.61
	40-75	0.20	5'	1.55	1.79
5-TT ¾	20	0.15	4'	1.36	1.57
	30	0.25	5'	1.45	1.68
	40	0.30	6'	1.44	1.66
	50	0.35	6'	1.41	1.63
5-TT-PC	30-40	0.23	5'	1.34	1.54
	40-75	0.27	5'	1.57	1.81
5-TQ ¾	20	0.20	4'	1.61	1.86
	30	0.29	5'	1.50	1.73
	40	0.34	6'	1.45	1.68
	50	0.40	6'	1.44	1.66
5-TQ-PC	30-40	0.26	5'	1.34	1.55
	40-75	0.29	5'	1.50	1.73
5-F	20	0.25	4'	1.51	1.75
	30	0.38	5'	1.47	1.70
	40	0.45	6'	1.44	1.66
	50	0.53	6'	1.43	1.65
5-F-PC	30-40	0.35	5'	1.36	1.57
	40-75	0.39	5'	1.51	1.75

8' Series with 5° Trajectory ●

Nozzle Radius	Pressure	GPM	Prec. Rate*		
			□	△	
8-Q ¼	20	0.17	7'	1.34	1.55
	30	0.24	8'	1.45	1.68
	40	0.26	9'	1.39	1.61
	50	0.29	9'	1.39	1.60
8-Q-PC	30-40	0.22	8'	1.33	1.54
	40-75	0.25	8'	1.51	1.75
8-T ½	20	0.23	7'	1.36	1.58
	30	0.30	8'	1.36	1.57
	40	0.36	9'	1.45	1.67
	50	0.40	9'	1.44	1.66
8-T-PC	30-40	0.29	8'	1.32	1.52
	40-75	0.35	8'	1.59	1.84
8-H ¾	20	0.37	8'	1.27	1.47
	30	0.50	8'	1.51	1.75
	40	0.58	9'	1.56	1.80
	50	0.65	9'	1.56	1.80
8-H-PC	30-40	0.44	8'	1.33	1.54
	40-75	0.50	8'	1.51	1.75
8-TT ¾	20	0.56	7'	1.66	1.92
	30	0.70	8'	1.59	1.84
	40	0.80	9'	1.61	1.86
	50	0.88	9'	1.58	1.82
8-TT-PC	30-40	0.59	8'	1.34	1.55
	40-75	0.70	8'	1.59	1.84
8-TQ ¾	20	0.63	7'	1.66	1.92
	30	0.76	8'	1.53	1.77
	40	0.86	9'	1.54	1.78
	50	0.93	9'	1.48	1.71
8-TQ-PC	30-40	0.64	8'	1.29	1.49
	40-75	0.70	8'	1.41	1.63
8-F	20	0.74	7'	1.46	1.69
	30	1.00	8'	1.51	1.75
	40	1.16	9'	1.56	1.80
	50	1.30	9'	1.56	1.80
8-F-PC	30-40	0.85	8'	1.29	1.49
	40-75	1.00	8'	1.51	1.75

10' Series with 12° Trajectory ●

Nozzle Radius	Pressure	GPM	Prec. Rate*		
			□	△	
10-Q ¼	20	0.30	9'	1.44	1.66
	30	0.40	10'	1.55	1.79
	40	0.50	11'	1.60	1.85
	50	0.60	12'	1.62	1.86
10-Q-PC	30-40	0.33	10'	1.28	1.48
	40-75	0.37	10'	1.43	1.66
10-T ½	20	0.42	9'	1.51	1.74
	30	0.52	10'	1.51	1.75
	40	0.65	11'	1.56	1.80
	50	0.75	12'	1.51	1.75
10-T-PC	30-40	0.44	10'	1.28	1.48
	40-75	0.50	10'	1.45	1.68
10-H ¾	20	0.60	9'	1.44	1.66
	30	0.71	10'	1.38	1.59
	40	0.85	11'	1.36	1.57
	50	0.99	12'	1.43	1.65
10-H-PC	30-40	0.66	10'	1.28	1.48
	40-75	0.75	10'	1.45	1.68
10-TT ¾	20	0.71	9'	1.27	1.47
	30	0.97	10'	1.41	1.63
	40	1.10	11'	1.45	1.67
	50	1.19	11'	1.43	1.65
10-TT-PC	30-40	0.89	10'	1.29	1.49
	40-75	1.00	10'	1.45	1.68
10-TQ ¾	20	0.82	9'	1.31	1.51
	30	1.04	10'	1.34	1.55
	40	1.20	11'	1.41	1.62
	50	1.35	11'	1.44	1.66
10-TQ-PC	30-40	0.99	10'	1.28	1.48
	40-75	1.09	10'	1.41	1.63
10-F	20	1.11	9'	1.49	1.72
	30	1.49	10'	1.44	1.67
	40	1.61	11'	1.42	1.63
	50	1.85	11'	1.48	1.71
10-F-PC	30-40	1.33	10'	1.29	1.49
	40-75	1.51	10'	1.46	1.69

12' Series with 23° Trajectory ●

Nozzle Radius	Pressure	GPM	Prec. Rate*		
			□	△	
12-Q ¼	20	0.40	11'	1.28	1.48
	30	0.50	12'	1.35	1.55
	40	0.60	13'	1.42	1.64
	50	0.63	13'	1.44	1.67
12-Q-PC	30-40	0.48	12'	1.29	1.49
	40-75	0.53	12'	1.43	1.65
12-T ½	20	0.57	11'	1.37	1.58
	30	0.72	12'	1.45	1.68
	40	0.87	13'	1.62	1.87
	50	0.97	13'	1.67	1.93
12-T-PC	30-40	0.64	12'	1.29	1.49
	40-75	0.70	12'	1.41	1.63
12-H ¾	20	0.95	11'	1.52	1.76
	30	1.09	12'	1.47	1.69
	40	1.30	13'	1.49	1.72
	50	1.55	14'	1.53	1.77
12-H-PC	30-40	0.96	12'	1.29	1.49
	40-75	1.05	12'	1.41	1.63
12-TT ¾	20	1.12	11'	1.35	1.55
	30	1.45	12'	1.46	1.69
	40	1.63	13'	1.52	1.75
	50	1.80	13'	1.55	1.79
12-TT-PC	30-40	1.28	12'	1.29	1.49
	40-75	1.40	12'	1.41	1.63
12-TQ ¾	20	1.05	11'	1.23	1.42
	30	1.55	12'	1.39	1.61
	40	1.65	13'	1.36	1.58
	50	1.80	13'	1.38	1.59
12-TQ-PC	30-40	1.44	12'	1.29	1.49
	40-75	1.60	12'	1.44	1.66
12-F	20	1.67	11'	1.34	1.54
	30	2.19	12'	1.47	1.70
	40	2.35	13'	1.46	1.68
	50	2.70	13'	1.55	1.79
12-F-PC	30-40	1.92	12'	1.29	1.49
	40-75	2.10	12'	1.41	1.63

15' Series with 27° Trajectory ●

Nozzle Radius	Pressure	GPM	Prec. Rate*		
			□	△	
15-Q ¼	20	0.68	14'	1.34	1.55
	30	0.85	15'	1.46	1.69
	40	1.04	16'	1.57	1.82
	50	1.23	16'	1.86	2.15
15-Q-PC	30-40	0.75	15'	1.29	1.49
	40-75	0.81	15'	1.40	1.61
15-T ½	20	0.95	14'	1.52	1.75
	30	1.10	15'	1.42	1.64
	40	1.30	16'	1.57	1.82
	50	1.45	16'	1.75	2.03
15-T-PC	30-40	1.00	15'	1.29	1.49
	40-75	1.10	15'	1.42	1.64
15-H ¾	20	1.37	13'	1.55	1.79
	30	1.65	15'	1.44	1.66
	40	2.02	16'	1.53	1.77
	50	2.14	16'	1.62	1.87
15-H-PC	30-40	1.50	15'	1.29	1.49
	40-75	1.65	15'	1.42	1.64
15-TT ¾	20	1.78	14'	1.38	1.59
	30	2.20	15'	1.42	1.64
	40	2.66	16'	1.51	1.74
	50	2.84	16'	1.61	1.86
15-TT-PC	30-40	2.00	15'	1.29	1.49
	40-75	2.20	15'	1.42	1.64
15-TQ ¾	20	2.10	13'	1.61	1.85
	30	2.60	15'	1.49	1.72
	40	3.00	16'	1.61	1.86
	50	3.40	16'	1.72	1.98
15-TQ-PC	30-40	2.30	15'	1.32	1.53
	40-75	2.50	15'	1.44	1.66
15-F	20	2.85	13'	1.63	1.89
	30	3.60	15'	1.55	1.79
	40	4.20	16'	1.59	1.84
	50	4.58	16'	1.73	2.00
15-F-PC	30-40	3.00	15'	1.29	1.49
	40-75	3.30	15'	1.42	1.64

Special Patterns ●

Nozzle Radius	Pressure	GPM	Special Patterns		Prec. Rate*
			Width	Length	
4-EST ¼	20	0.38	3' x	12'	2.03
	30	0.45	4' x	15'	1.44
	40	0.53	5' x	18'	1.13
	50	0.60	6' x	20'	0.96
4-EST-PC	30-40	0.43	4' x	15'	1.38
	40-75	0.50	4' x	15'	1.61
4-CST ½	20	0.75	3' x	24'	2.01
	30	0.90	4' x	30'	1.44
	40	1.04	4' x	30'	1.67
	50	1.16	4' x	31'	1.80
4-CST-PC	30-40	0.86	4' x	30'	1.38
	40-75	1.00	4' x	30'	1.61
9-SST ¾	20	1.00	9' x	18'	1.19