



# INSTALLATION AND SERVICE INSTRUCTIONS

## Super 600 Sprinkler

### Introduction

Super 600 Sprinklers utilize a permanently sealed and lubricated gear drive assembly for smooth, vibration free performance and dependability. Available in 2" Pop-up, the Super 600 is designed for residential or commercial applications and works well in problem areas involving low pressure, sandy water, and debris.

### Model Numbers / Performance Charts

BODY STYLE	ARC	NOZZLE SIZE	PSI	GPM	RAD	PRECIP. RATE*				
						90°	180°	360°		
S600	PC	1.3	25	1.20	35'	.36	NOT RECOMMENDED	NOT RECOMMENDED		
			30	1.27	37'	.34				
			35	1.36	38'	.34				
			40	1.45	39'	.36				
			45	1.53	39'	.36				
S600	FC	1.3	50	1.61	40'	.36	NOT RECOMMENDED	NOT RECOMMENDED		
			25	2.38	41'	.52			NOT RECOMMENDED	
			30	2.56	42'	.52				
			35	2.77	43'	.56				
			40	2.94	44'	.56				
S600	PC	2.5	45	3.14	45'	.56	NOT RECOMMENDED	NOT RECOMMENDED		
			50	3.34	45'	.60				
			25	4.82	38'	1.24			.62	.31
			30	5.19	42'	1.08			.54	
			35	5.69	45'	1.04			.52	
S600	FC	5.0	40	6.07	47'	1.00	.50	.25		
			45	6.41	48'	1.04	.52			
			50	6.71	50'	1.00	.50			

\* Precipitation Rates:  
 Square spacing, shown in inches per hour, calculated at 50% of diameter.  
 Triangular spacing, shown in inches per hour, calculated at 55% of diameter.

† Not recommended at this pressure without using nozzle stream breaker adjustment screw.

### Specifications

- Inlet Threads – 3/4" NPT Female
- Cap Diameter – 3"
- Body Height – 6-1/4"
- Pop-Up to Nozzle – 2"
- Operating Pressure – 25 to 50 PSI
- Maximum Pressure – 75 PSI

### Rubber Cover Kit

Attach rubber cover (optional) to sprinkler cap, using Loctite Super Bonder® 414 adhesive (or equivalent) as follows:

1. Assure bonding surfaces are dry and free of dirt, grease, and foreign substances.
2. Spread thin film of adhesive on underside of rubber cap cover and rubber nozzle cover.
3. Assemble immediately. Press retainer plug pins into two (2) holes in nozzle. (See Figure 1 and Parts Breakout.)
4. Apply firm pressure until set (approximately 15 seconds).

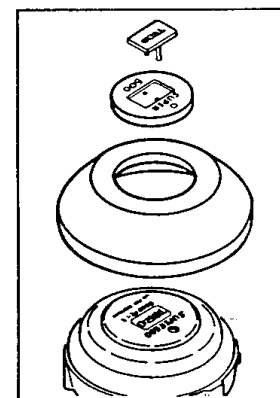


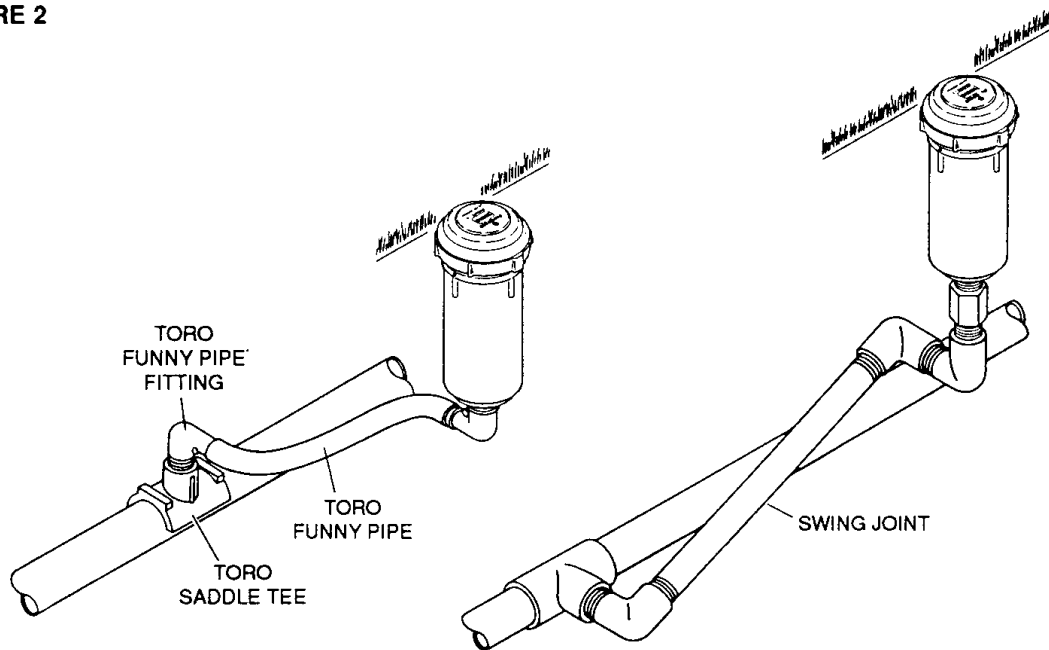
FIGURE 1

## Installation Procedure

The Super 600 Lawn sprinkler should be installed using an adjustable riser method as illustrated below. The adjustable riser permits easier sprinkler positioning and provides protection from damage due to displacement by foot traffic or turf maintenance equipment.

1. Prior to sprinkler head installation, flush lines thoroughly to eliminate all dirt and debris from system.

FIGURE 2



### Caution

**Use only teflon tape on threaded connections between body and riser. Deterioration of plastic body may occur if other sealing compound types are used.**

2. Install sprinkler using one of two methods illustrated above. Lawn sprinklers are correctly positioned when top of cap is level with finished grade. Rotate nozzles of part circle heads counterclockwise to left stop. Screw sprinkler body onto riser aligning nozzle port with left border of coverage area. Do not over torque, hand tight is sufficient.
3. Turn on water to system.
4. Observe part circle arc patterns and adjust as necessary. (See Part Circle Adjustment.)
5. Observe spray pattern radius and adjust as necessary. (See Spray Radius Adjustment.)

## Part Circle Arc Adjustment

**Note:** Left side of arc is non-adjustable and will change only if sprinkler body is turned on riser. Right side of arc is adjustable to produce a spray arc from 45° minimum to 315° maximum. It is recommended that arc pattern be adjusted during sprinkler operation, however, the Super 600 can be adjusted when not in operation.

1. Turn on water to sprinkler.
2. Rotate nozzle left and right to check arc setting.

**Note:** Do not forcibly turn nozzle. Always turn nozzle in direction of least resistance.

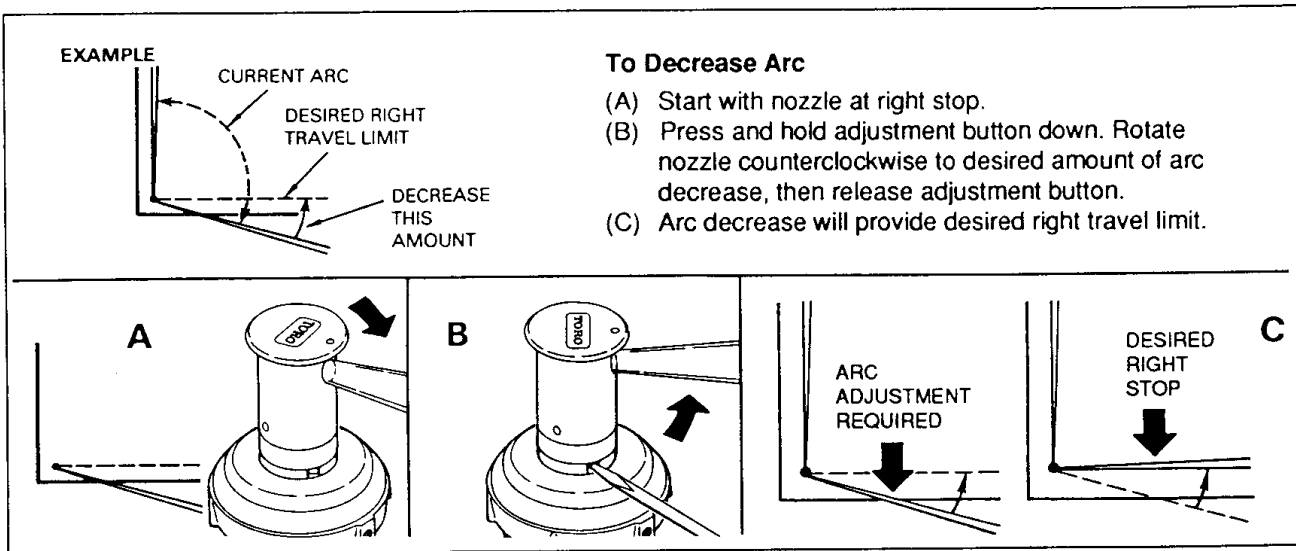
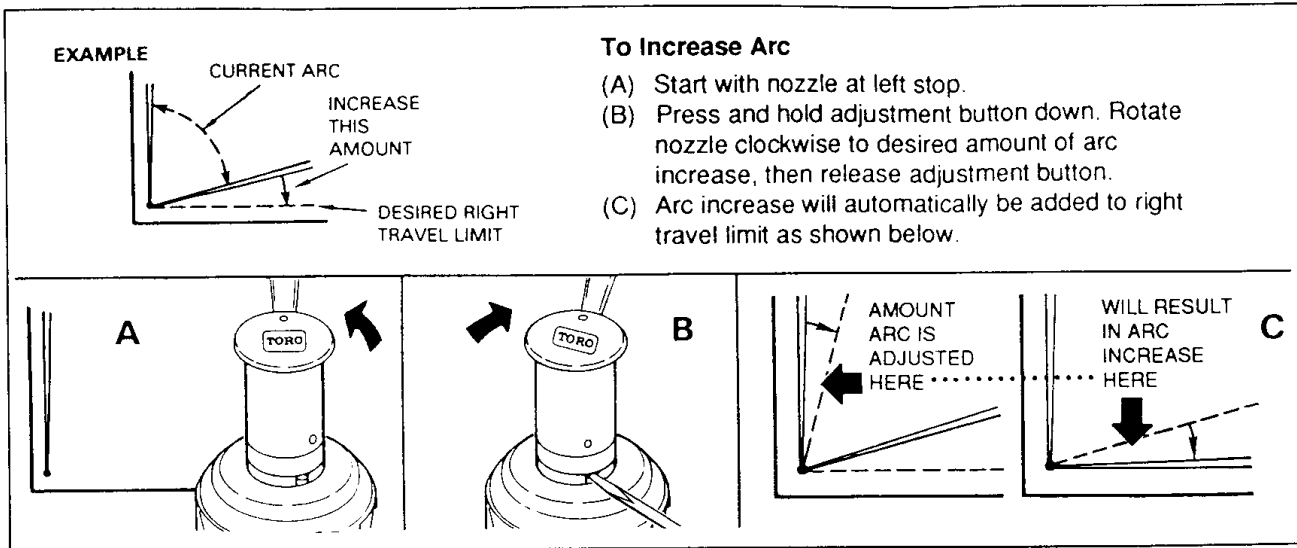
3. Rotate nozzle counterclockwise to left stop. Since left stop is non-adjustable, align spray with left side of watering area by turning sprinkler body in ground.

**Note:** This procedure must be accomplished before increasing or decreasing arc pattern.

4. To increase or decrease arc, follow directions shown in Figure 3.

**Note:** A small screwdriver or similar tool is required to depress adjustment button (located at top of drive assembly) when adjusting arc pattern.

**FIGURE 3**



**Spray Radius Adjustment**

A stream breaker screw, accessible from top of nozzle with a 1/16" hex driver, is provided to shorten radius and/or diffuse spray.

**Note:** To prevent a possible dry area around head when operating at low pressure, adjust stream breaker to slightly diffuse spray.

**Caution**

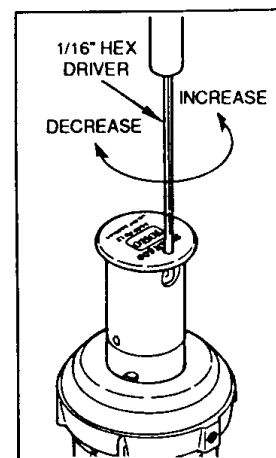
Stream breaker screw will fall into water stream if decrease adjustment is excessive. Replacement will be necessary.

**To Decrease Radius**

1. Rotate stream breaker screw clockwise. (See Figure 4.)

**To Increase Radius**

1. Rotate stream breaker screw counterclockwise. (See Figure 4.)



**FIGURE 4**

## Sprinkler Maintenance and Service

### Cleaning Pop-Up Sprinkler Heads

1. Unscrew cap while holding sprinkler body to avoid changing alignment (part circle models).
2. Remove cap, nozzle and drive assembly from body noting nozzle alignment for proper reassembly (part circle models).
3. Remove basket screen and flush thoroughly to eliminate all dirt and debris.
4. Inspect stator and clean thoroughly as required.
5. Reinstall basket screen.
6. Flush body thoroughly prior to reassembly.
7. Reinstall cap, nozzle and drive assembly aligning keyways for proper nozzle position (hand tighten).

### Changing Nozzles

**Note:** Prior to removal and replacement of nozzle, follow Steps 1 through 4 in section on "Cleaning Pop-Up Sprinkler Heads".

1. Push cap down, compressing return spring to expose set screw in nozzle.
2. Loosen set screw (see Figure 5) and unscrew nozzle from drive assembly.
3. Screw new nozzle onto drive assembly (do not over tighten). Secure nozzle with set screw (do not over tighten).
4. Release cap SLOWLY to avoid injury.

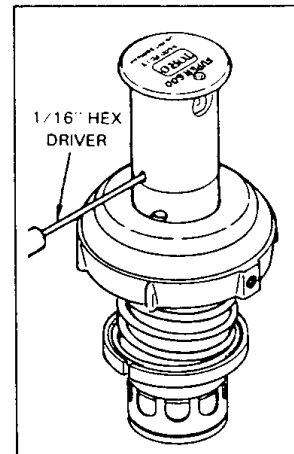


FIGURE 5

Item No.	Part No.	Nomenclature	Quantity Per Assy.
1	35-1776	Plug, Retainer	1
1	35-1776	Plug, Retainer	1
2	35-1565	Cover, Rubber	1
3	35-1213	Nozzle Assy., PC 1.3 (Includes Item 4)	1
3	35-1215	Nozzle Assy., PC 2.5 (Includes Item 4)	1
3	35-1217	Nozzle Assy., PC 5.0 (Includes Item 4)	1
3	35-1219	Nozzle Assy., FC 1.3 (Includes Item 4)	1
3	35-1221	Nozzle Assy., FC 2.5 (Includes Item 4)	1
3	35-1223	Nozzle Assy., FC 5.0 (Includes Item 4)	1
4	360-0223	Screw, Set, Half Dog Point	2
5	35-2852	Seal, Nozzle	1
6	9-4394	Cap	1
7	9-4395	Seal, Riser	1
8	9-1995	Spring, Retraction	1
9	35-2614	Drive Assy., Full Circle	1
9	35-2613	Drive Assy., Part Circle, Adjustable	1
--	35-6323	Stator Assy., Variable (Includes items 10 and 11)	1
10	-----	Sleeve, Stator	1
11	-----	Diaphragm, Stator	1
12	9-1691	Screen	1
13	9-1661	Body	1
<b>Service Items</b>			
	600-01	Kit, Cover Rubber (Includes Items 1, 2 and 6)	
	840-01	Kit, Check Valve (Includes Item 12)	
N/S	89-0805	Low Flush Seal, S600	

S600

